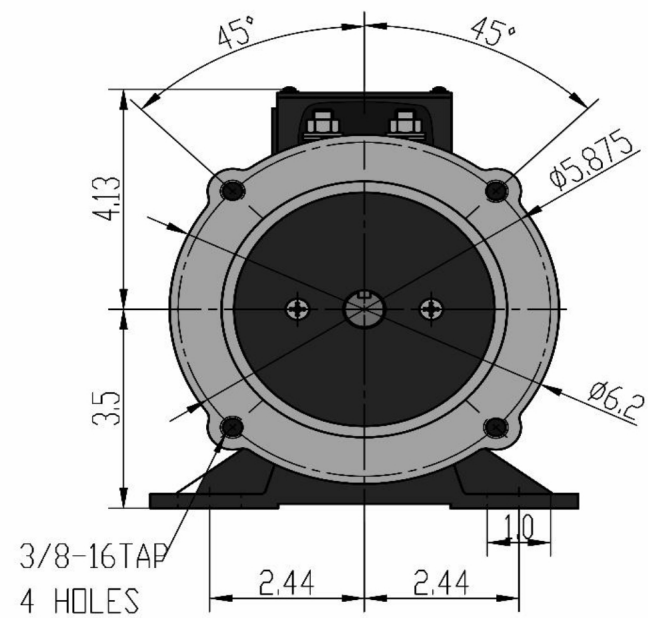
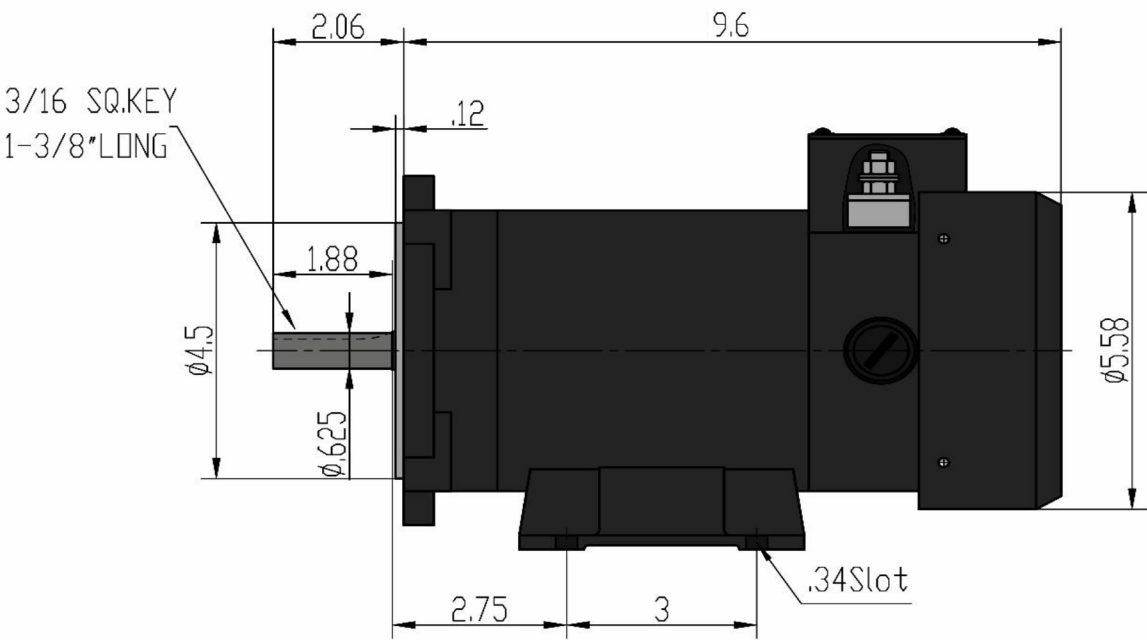


MaxMotion



Customer is responsible in determining that MaxMotion product will fit/perform suitably in the intended application

Version: 1NIN

Revised: April 2020

| HP | RPM | Voltage | Amps | Const. | Frame | Insul. | Torque | P. Code | Wgt lbs | Rated |
|------|------|---------|------|--------|-------|---------|----------|---------|---------|-------|
| 0,25 | 1750 | 12Vdc | 30,9 | TEFC | 56C | Class H | 9 in/lbs | K (SCR) | 21 | IP45 |

MM2512FC